

TGE 1000

Automatic turnstile for access control



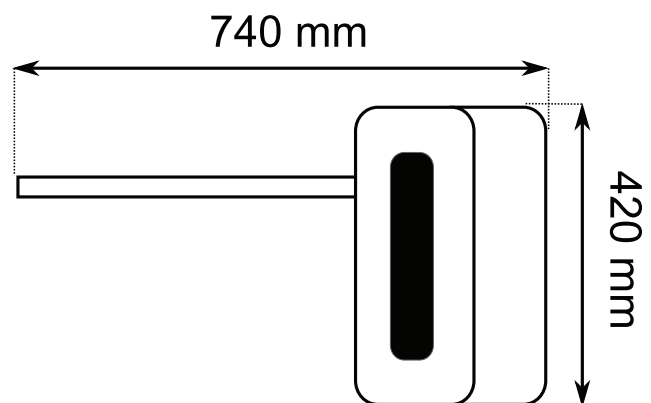
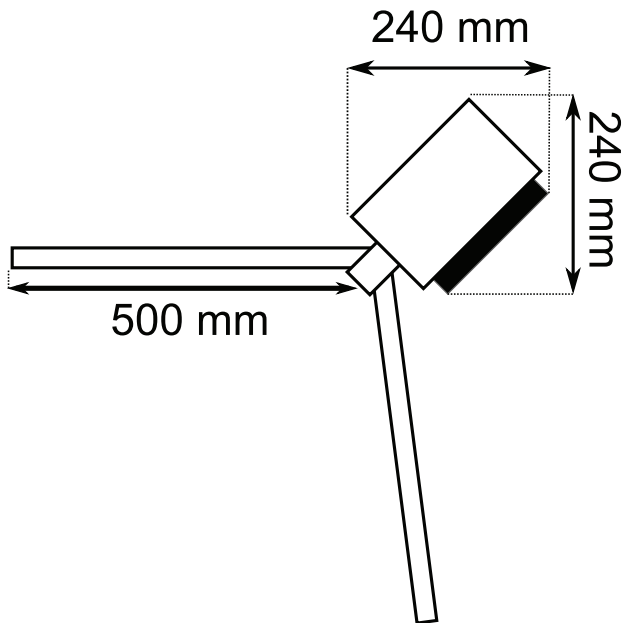
Thanks to its limited size and great versatility, the TGE1000 turnstile is the ideal solution for barrier access control in companies, gyms, public premises and any other indoor or outdoor facilities requiring a simplified installation in limited space conditions.

Thanks to its modular design and to a specifically-conceived self-disconnection system, installation and maintenance activities can be performed quickly and easily even when the system is operating and by personnel that has only a basic knowledge of the system.

The IP66 protection rating shell and tropicalized components ensure efficient operation in any and all environmental conditions. The turnstile, featuring a robust mechanical design and structure, does not require any preventive technical support and is subject to very limited wear and tear.

MAIN FEATURES

- Access control: entrance, exit, or two-ways
- Indoor and outdoor operation
- Compatible with third-party readers and Alfi Carina and Ticket Monster readers
- Adaptable to any type of strut
- Stainless steel main frame
- Two-way rotation two or three-arm turnstile
- Modular and tropicalized electronic components
- IP66 protection rating shell
- Low voltage (24 V DC) operation



Technical characteristics

Size:	420 x 240 x 240 mm (head)
Passage width:	500 mm
Weight:	approximately 18 kg (head)
Power supply:	200-240 V AC 50-60 Hz (external power supply box)
Operating temperature:	from -30 °C to 50 °C